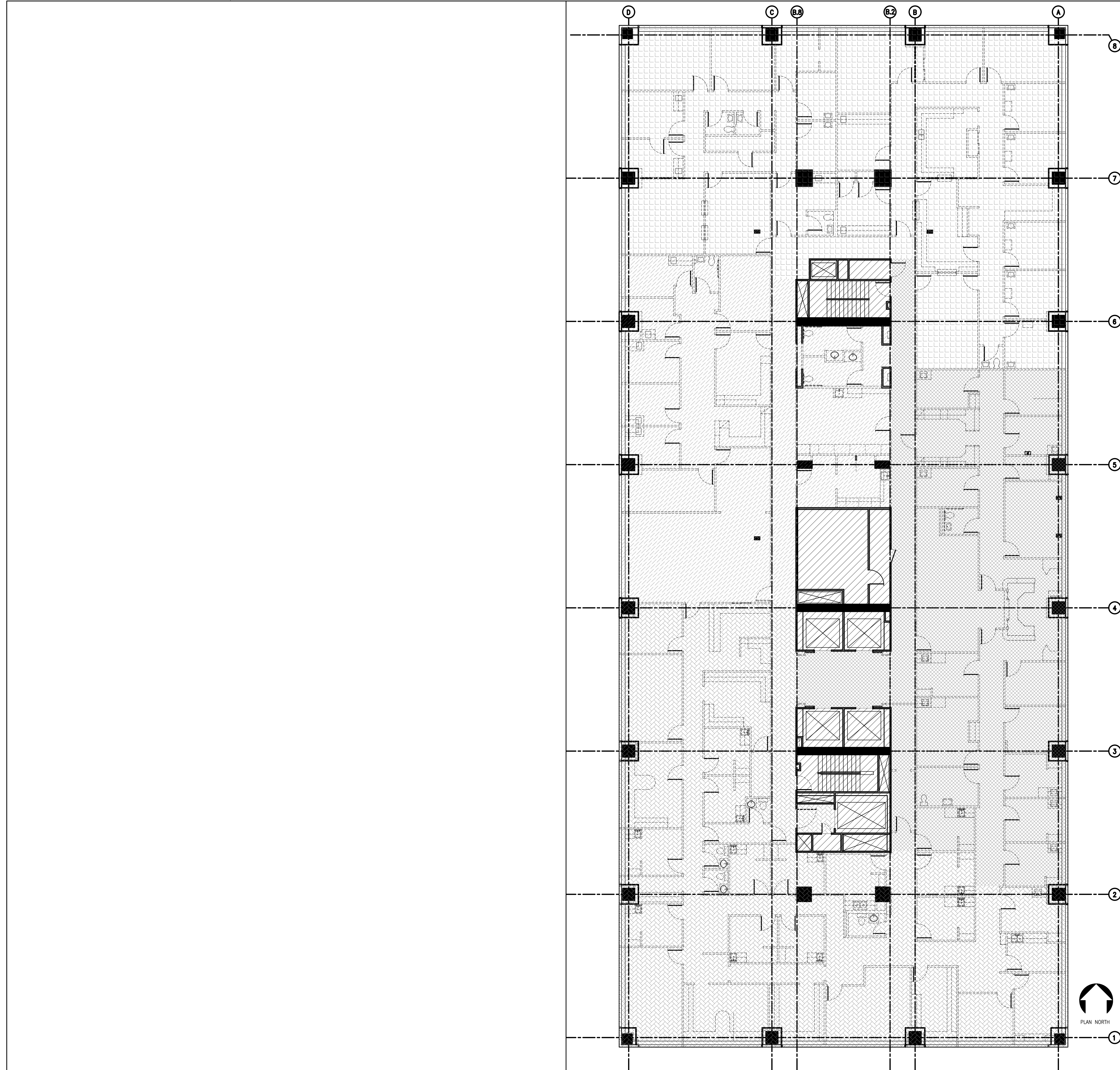
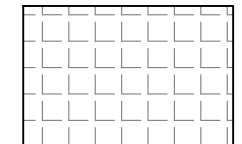
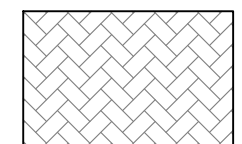
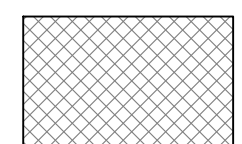



ISSUE		
NO.	DATE	DESCRIPTION
	03.02.2018	ISSUE FOR PERMIT & BID



NOT USED N.T.S. 03

-  PHASE 1: 12 WEEKS
-  PHASE 2: 11 WEEKS
-  PHASE 3: 10 WEEKS
-  PHASE 4: 10 WEEKS



HOUSTON Methodist
MEDICAL OFFICE BUILDINGS

SMITH TOWER
6550 FANNIN STREET
SUITE 2221
HOUSTON, TX 77030

HMSPG SUITE 2221
OB/GYN

PHASING PLAN

DAI PROJECT NO. 50089335	DRAWING NO. A.0.06
DATE 03.02.2018	