

ADDENDUM NO. 3

To:	Invited Bidders	Date:	November 10, 2017
Company:		Project Name:	Mainland Medical Center ER Addition & ER Refurbish- ment
Address		Project Number:	17306 & 17306A
		Fax #:	
Phone No:		Send via:	<i>Electronic Mail</i>
From:	Sam Neves	Sent:	<i>For your use</i>

This Addendum forms a part of the Contract Documents and modifies the original Bidding Documents dated October 26, 2017 as noted below.

This Addendum consists of 2 page plus attachments.

DESCRIPTION:

Addendum #03.

REVISED DRAWINGS:

3.1 The following 24" x 36" drawings are revised and reissued herewith:

ER ADDITION PROJECT:

D0.00 PROJECT DATA
A2.00 OVERALL KEY PLAN
A3.01 REFLECTED CEILING PLAN
A4.02 ENLARGED FLOOR PLAN – AREA B
A9.01 DOOR SCHEDULE, FRAMES & HARDWARE

E0.01 ONE-LINE RISER & PANEL SCHEDULES - ELECTRICAL
E4.01 FLOOR PLAN - EQUIPMENT POWER

ER REFURBISHMENT PROJECT:

A3.01 REFLECTED CEILING PLAN

E1.01 DEMOLITION PLAN – ELECTRICAL
E2.01 FLOOR PLAN – ELECTRICAL - LIGHTING

REVISED SPECIFICATIONS:

3.2 The following specifications are REVISED and reissued herewith:

ER REFURBISHMENT PROJECT

Section 00312 – Bid Form

ADDENDUM NO. 3

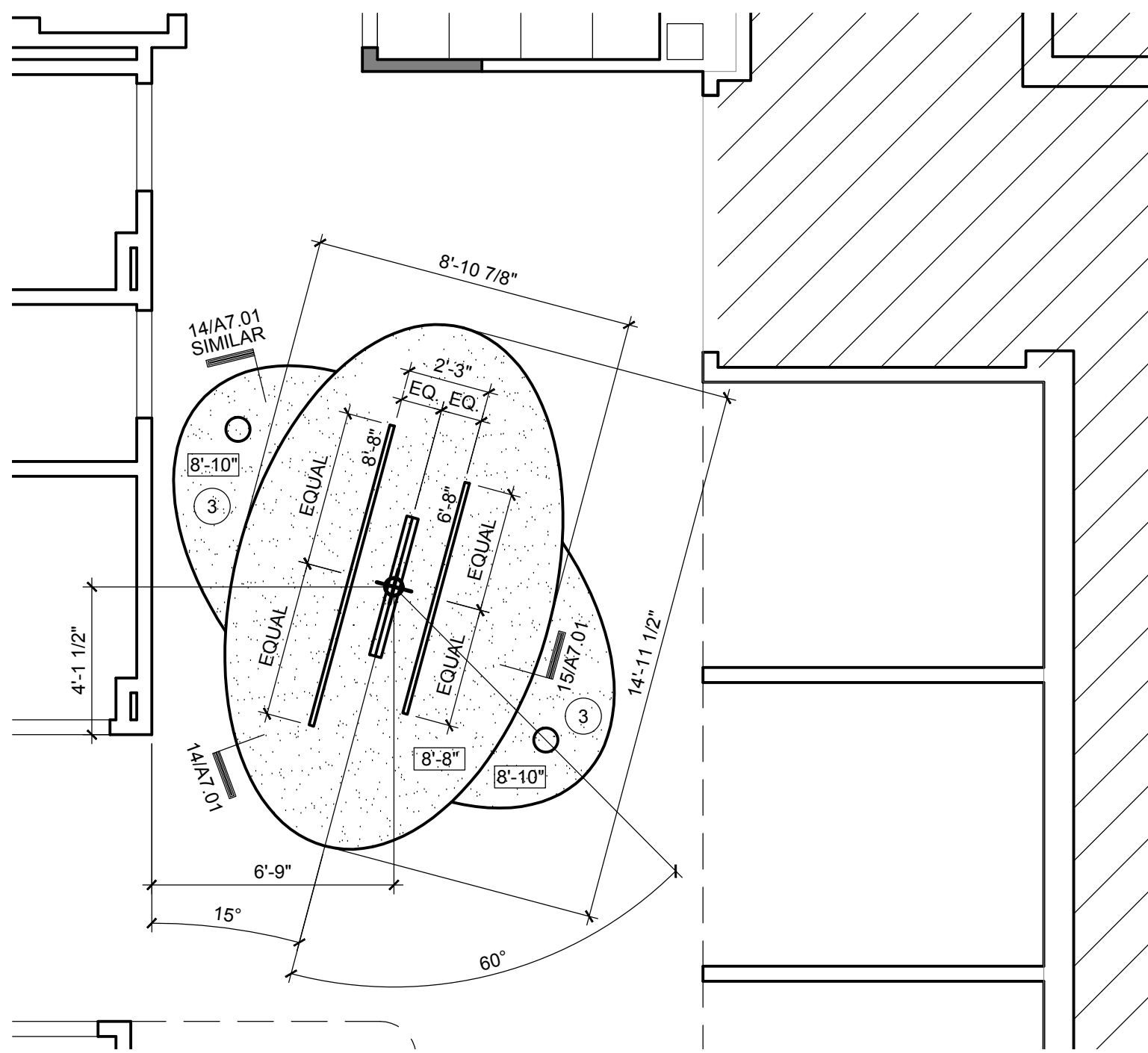
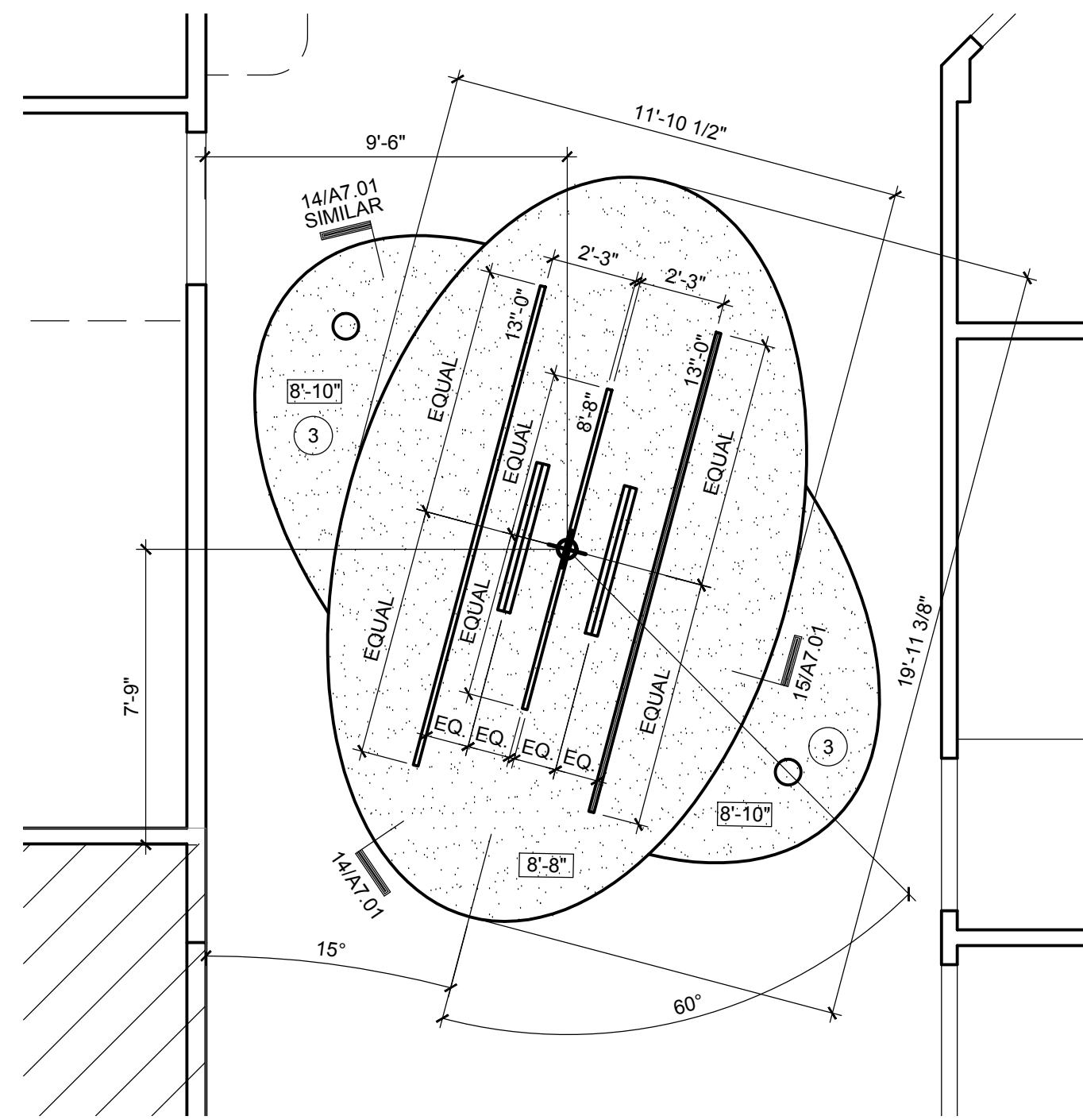
NEW SPECIFICATIONS:

3.3 The following specifications are NEW and issued herewith:

ER REFURBISHMENT PROJECT

Section 01100 - Alternates

END OF ADDENDUM NO. 3



CEILING PLAN DETAIL

1/4" : 1'-0" 12

CEILING PLAN DETAIL

1/4" : 1'-0" 4

GENERAL NOTES

- A. THE CONTRACTOR SHALL COORDINATE THE REFLECTED CEILING PLAN WITH THE ELECTRICAL LIGHTING PLANS, MECHANICAL SUPPLY, RETURN AND EXHAUST PLANS. THE CONTRACTOR SHALL REPORT ANY DISCREPANCIES.
- B. CEILING GRID SHALL BE CENTERED IN THE SPACE UNLESS NOTED OTHERWISE.
- C. PAINT CEILING GRID AND REPLACE CEILING TILES WITHIN THE SCOPE OF WORK AS PART OF ALTERNATE #1 EXCEPT WHERE NOTED. REFER TO SPEC SECTION 01100.
- D. ALL LIGHT FIXTURES SHOWN ARE TO BE REPLACED AS PART OF ALTERNATE #2 EXCEPT WHERE NOTED. REFER TO SPEC SECTION 01100 AND ELECTRICAL DWGS.

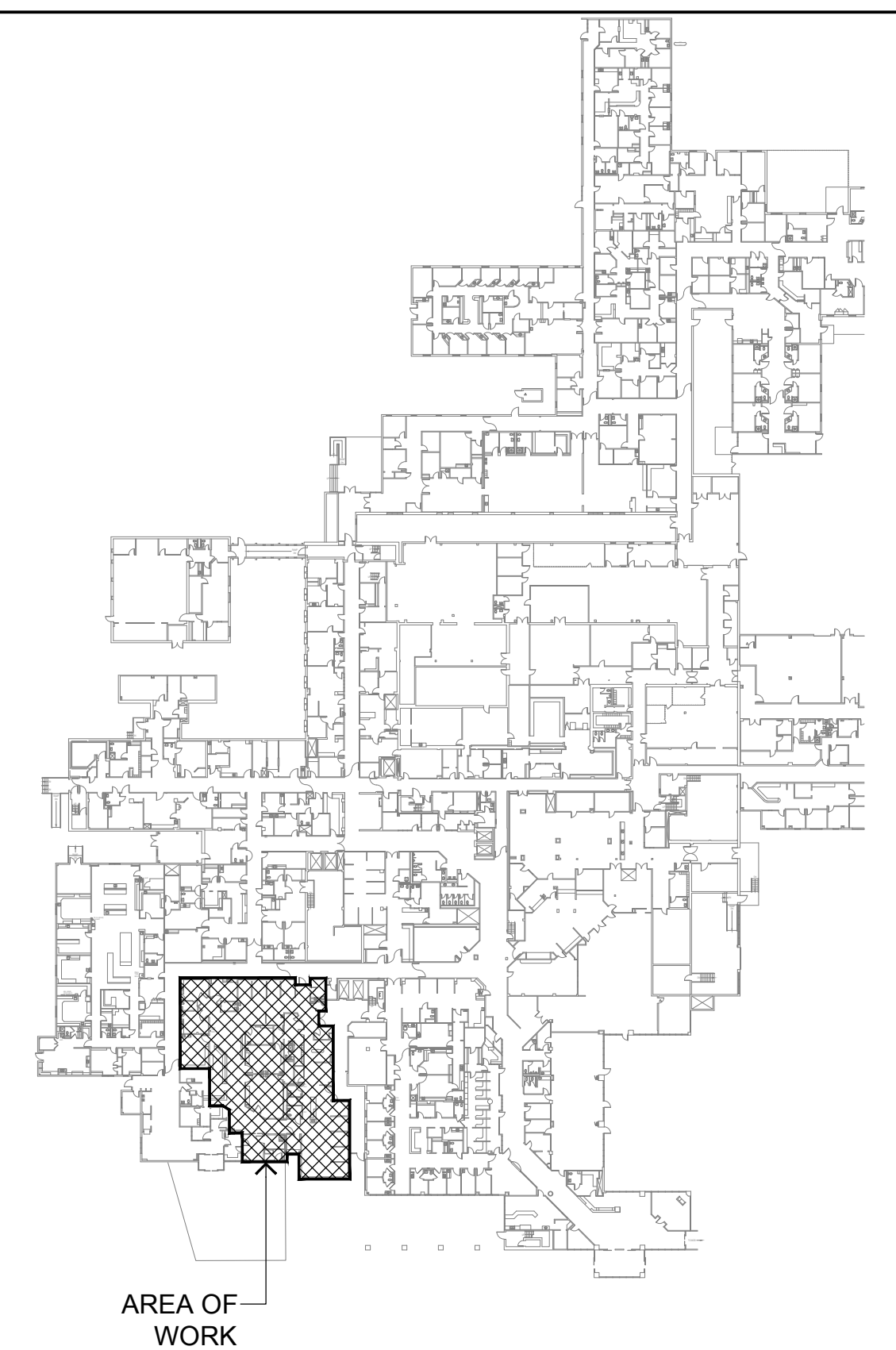
NOTES TO SHEET

- 1 NEW CEILING GRID, LIGHT FIXTURES, AIR SUPPLY AND RETURN GRILLS.
- 2 AXIOM DRYWALL TRIM CEILING SYSTEM, NEW LIGHT FIXTURES AND AIR SUPPLY GRILLS. REFER TO MEP DRAWINGS.
- 3 UPPER PANEL HAS IDENTICAL CENTER LINE AND DIMENSIONS AS LOWER PANEL.
- 4 REPLACE CUBICLE CURTAIN RE: ID1.00. EXISTING TRACK TO REMAIN. FIELD VERIFY QUANTITY & DIMENSIONS FOR NEW CURTAINS.
- 5 REPLACE WINDOW BLINDS RE: ID1.00.
- 6 REPLACE CEILING WITH 5/8" GYPSUM BOARD AND REQUIRED FRAMING AS PART OF ALTERNATE #3. PROVIDE LIGHT FIXTURE FOR MOUNTING TO HARD CEILING. REFER TO SPEC SECTION 01100.

LEGEND

- E EXISTING LIGHT FIXTURE RE: ELECTRICAL
- [Symbol] 2'-0" X 4'-0" LIGHT FIXTURE. RE: ELECTRICAL
- [Symbol] 1'-0" X 4'-0" LIGHT FIXTURE. RE: ELECTRICAL
- [Symbol] 2'-0" X 2'-0" LIGHT FIXTURE. RE: ELECTRICAL
- [Symbol] RECESSED 8" CAN LIGHT FIXTURE. RE: ELECTRICAL
- [Symbol] WALL MOUNTED LIGHT FIXTURE. RE: ELECTRICAL
- [Symbol] RECESSED STRIP LIGHT FIXTURE. NUMBER DENOTES FIXTURE LENGTH. RE: ELECTRICAL
- [Symbol] RECESSED SLOT AIR SUPPLY REGISTER; RE: MECHANICAL
- [Symbol] AIR SUPPLY REGISTER. RE: MECHANICAL
- [Symbol] RETURN AIR/EXHAUST GRILLE. RE: MECHANICAL
- [Symbol] ACOUSTICAL CEILING TILE AND GRID ARMSTRONG 'CORTEGA 770' SQUARE EDGE TYPICAL UNLESS NOTED OTHERWISE
- [Symbol] CEILING HEIGHT INDICATION ABOVE FLOOR FINISH (A.F.F.) 9'-0" UNLESS NOTED OTHERWISE
- [Symbol] PAINTED GYPSUM BOARD
- [Symbol] SECTION THROUGH CEILING REFERENCE
- [Symbol] AREA NOT IN SCOPE

KEY PLAN CEILING DETAIL SECTION.



in association with:

REVISIONS

ADDENDUM #3	11/09/2017

NO.	ISSUE	DATE
Sheet Information		
DATE	10/26/2017	
HSA PROJECT NUMBER	17306A	
TITLE		

REFLECTED CEILING PLAN

SHEET

A3.01

REFLECTED CEILING PLAN

1/8" : 1'-0"

1

