

ADDENDUM 1

DATE: June 05, 2018
PROJECT: SOD Suite 1488 Conversion into Surgical Operator
ITB NO: 744-B1817-SOD Suite 1488 Conversion into Surgical Operator
OWNER: The University of Texas Health Science Center at Houston
TO: Prospective Proposers

This Addendum forms part of and modifies Proposal Documents dated, May 10, 2018, with amendments and additions noted below.

1. Clarification, Questions and Answers:

- 1) Question: Is Wireless Internet part of Bid?
Answer: No, wireless internet is already available in the building.
- 2) Question: Is dental equipment such as surgical hand pieces and other items that might be needed part of the bid
Answer: No, dental equipment is not included in this bid – only infrastructure and Architectural.
- 3) Question: Will product data for the x-ray arm be provided for blocking requirements?
Answer: Yes - attached
- 4) Question: How many days notification is required for service 'shut downs'?
Answer: Three days, please include this time in schedule activity list.
- 5) Clarification: Shut down of service requires completion of task overnight, all services are required to be usable by 7:00 A.M. daily.
- 6) Question: Is painting required on all (4) walls?
Answer: Yes - paint is also required on new wall of storage room side.
- 7) Question: Is any activity allowed during work hours?
Answer: Absolutely no construction activity is allowed during work hours. This project is 100% afterhours due to existing clinic activity.
- 8) Question: What is dimensions of the space?
Answer: Renovated 1488 dimensions are 10'-4 7/8" x 19'-6 7/16.
- 9) Question: What is floor to deck dimension?
Answer: Approximately 15' floor to deck.

10) Clarification: Please provide additional information for the Key Note #2-40" Wide Lockable Barn door and door hardware (Manufacture, Model Number, Color).

Answer: Hardware: Lock = #2001SDL3 5" Backset – US26D, Thumbturn = #GF1106 – US26D
Flush Pulls (2 per door) = FC3003 – US26D - Door lock catch is 2"x2" aluminum tubing attached to door frame painted to match existing doorframe - attached photos/details Door: Plain Sliced White Maple clear finish.

11) Clarification: Updated Prevailing Wage Determination link to coincide with Houston/Galveston Area.
<https://www.uth.edu/dotAsset/8ea863dd-4838-4d8d-8a74-6538c1e272e0.pdf>

END OF ADDENDUM 1

Intraoral X-ray Imaging at Its Best



The KaVo™ FOCUS™ unit's practical design, backed by the innovative Anti-Drift Mechanism, ensures stable, stern usability for exacting modern dental care. Three arm lengths make it the perfect X-ray for any practice, and short exposure times minimize patient dose.

- Three different arm lengths make FOCUS the perfect X-ray for any practice, no matter the layout
- Short exposure times
- Efficient exposure ensures successful imaging while minimizing patient dose
- ADM (Anti-Drift Mechanism) eliminates drifting and the need for re-positioning
- Built in automatic dose display (DAP)
- Attractive design
- Pre-programmed settings for adult and pediatric dentitions
- A variety of cones available

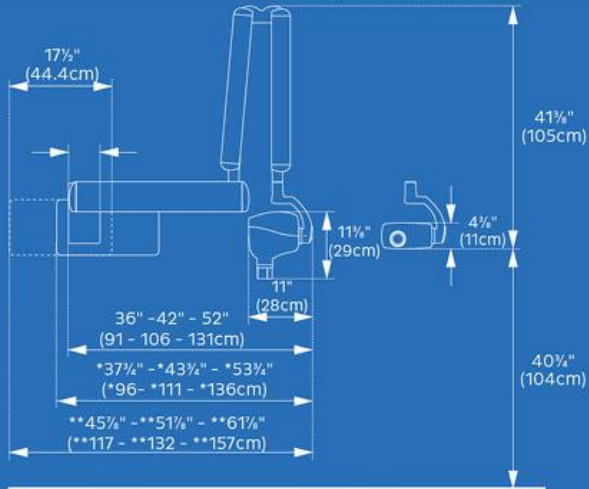
Overview

Features

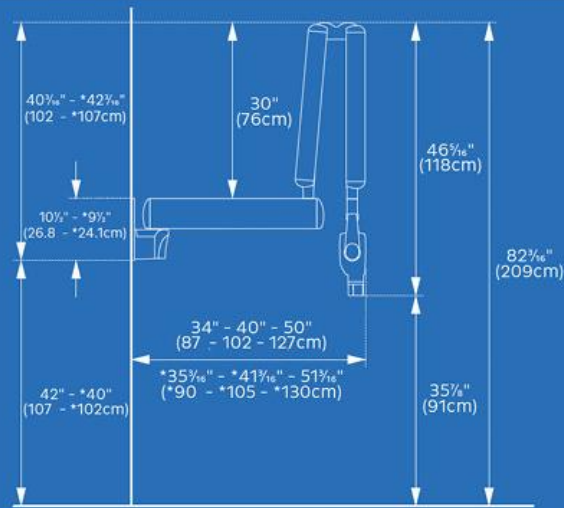
More Info ▾

Technical Details

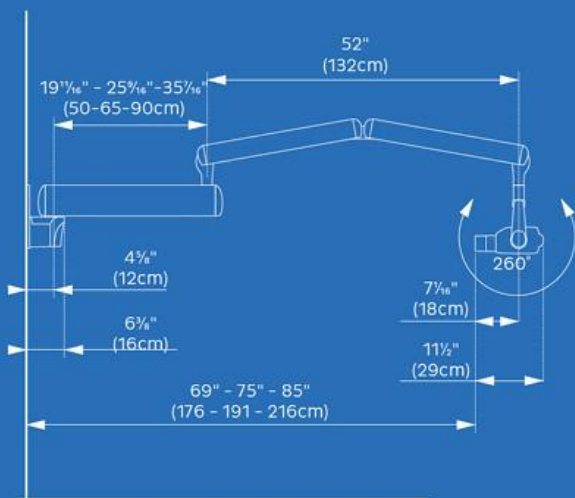
Generator Constant Potential	High voltage DC, 100-200 kHz
Tube Voltage	60 or 70 kV
Tube Current	7 mA
Focal Spot	0.7 mm to IEC 60336
Total Filtration	2.0 mm Al (70 kV)
Line Voltage	115 / 230 VAC +/- 10 %, 60/50 Hz
Exposure Time Range	0.02-3.2 seconds
Reach	69, 75 and 85 inches / 176,191 and 216 cm
Weight	66 lbs (30 kg)
Beam Limiting Cone Dimensions	Round diameter 2.36 inches (60 mm), rectangular 1.38 x 1.77 inches (35 x 45 mm)
SSD (Source-Skin Distance)	Standard cone 9 inches (229 mm), long cone 12 inches (305 mm)
Expandability	
Remote Exposure Button	
Two Remote Controls	
Door Switch Readiness	
External Exposure Lamp Readiness	



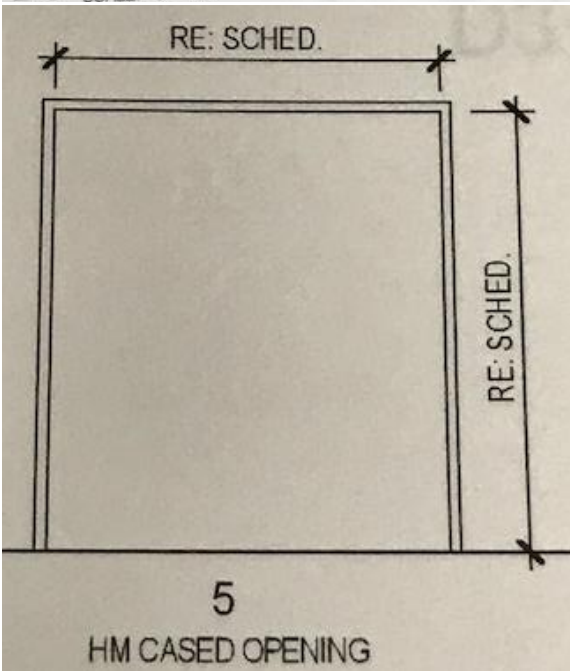
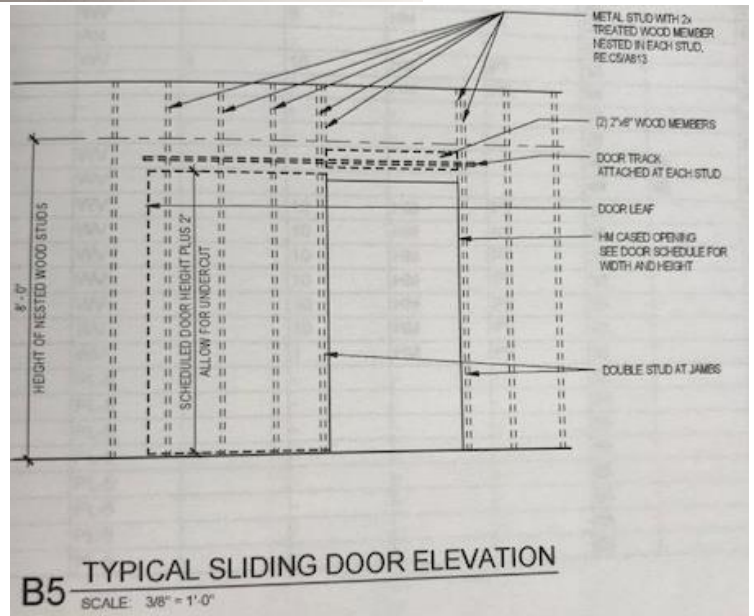
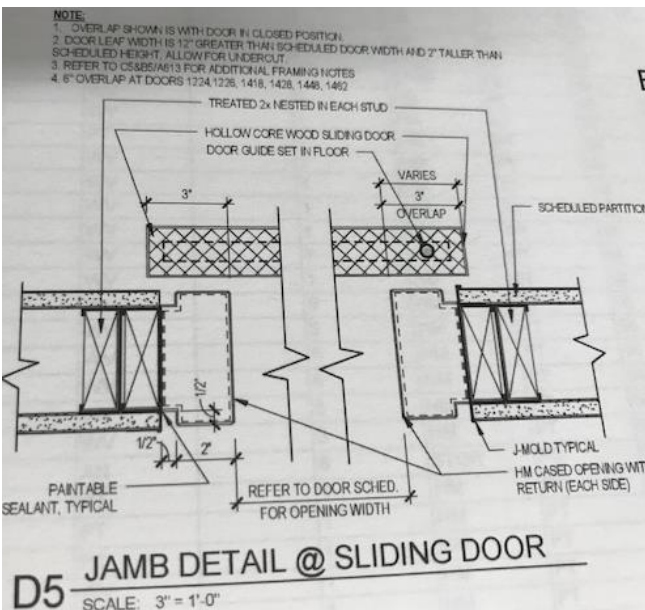
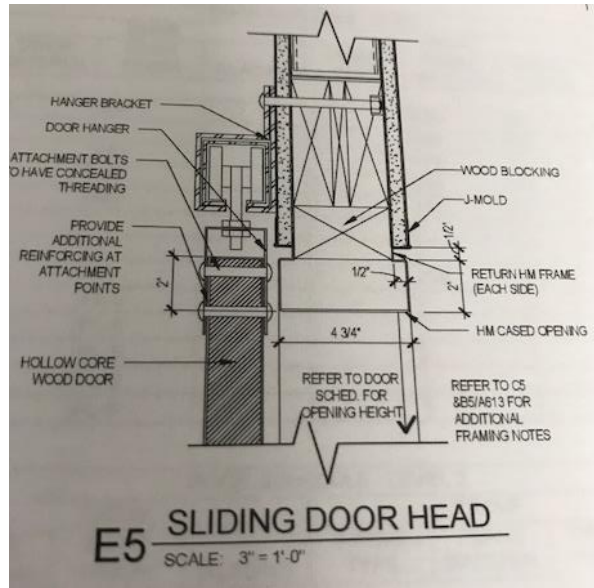
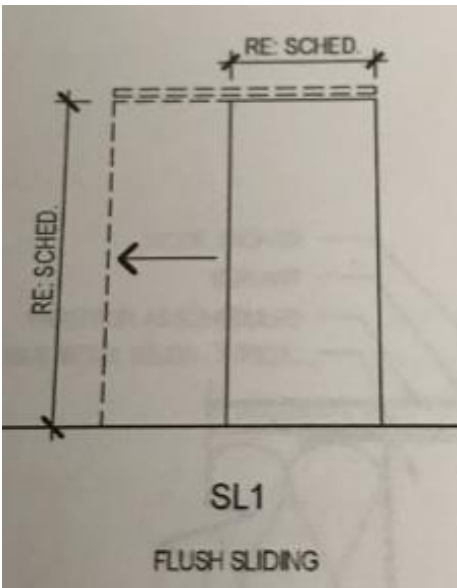
Note: Dimensions are based on single stud mount and short cone.
 *Denotes dimensions based on two-stud mount oriented to the right.
 **Denotes dimensions based on two-stud mount oriented to the left.



Note: Dimensions are based on single stud mount and short cone.
 *Denotes dimensions based on two-stud mount.



Note: Dimensions are based on single stud mount and short cone.
 Two-stud mount extends out an additional 1 3/16" (3.0cm)



*Oral and Maxillofacial Surgery
Clinical Simulation Facility
donated by*



THE BINDS ACADEMY

