

ADDENDUM NO. 1

To:	Invited Bidders	Date:	February 6, 2018
Company:		Project Name:	Kingwood Medical Center - Inpatient Rehab Expansion
Address		Project Number:	17316.00
		Fax #:	
Phone No:		Send via:	<i>Electronic Mail</i>
From:	Sam Neves	Sent:	<i>For your use</i>

This Addendum forms a part of the Contract Documents and modifies the original Bidding Documents dated February 01, 2018 as noted below.

This Addendum consists of 1 page plus attachments.

DESCRIPTION:

Addendum #01.

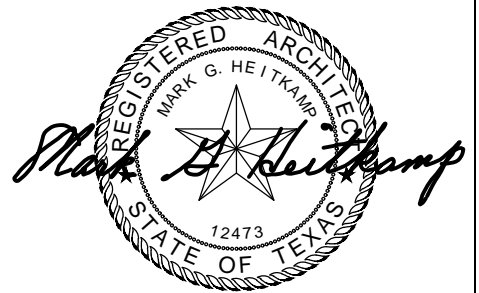
DRAWINGS:

1.1 The following 8 1/2" x 11" drawings are issued herewith:

- AD1 A-1 (referencing sheet F2.01)
- AD1 S-1 (referencing sheet 1/S1.01)
- AD1 S-2 (referencing sheet 1/S2.02)

END OF ADDENDUM NO. 1

- PR-2 Type: Partition End Cap
Mfr. RACO or Equivalent Manufacturer
Color: Clear Anodized
- PR-3 Type: Crash Rail
Mfr. IPC
Color: #0239 Oatmeal
- PR-4 Mfr. InPro, Acrovyn or Korogard
Style: High Impact rigid wall protection,
 Pebblette Texture
Thickness: .040"
Color: Oatmeal
Height: Full height of wall
- PR-5 Mfr. InPro, Acrovyn or Korogard
Style: High Impact rigid wall protection,
 Pebblette Texture
Thickness: .040"
Color: #0239 Oatmeal
Height: 51" above finished floor
Note: Butt Joint: Include color-matching 1/4"
 horizontal wainscot moulding trim cap.
 Intent is to match existing.
- PR-6 Type: Corner Guard
Mfr. InPro/IPC
Style: 3" wing (Top of wall base to top of wall
 unless shown otherwise).
Model: # 130 BN High Impact corner guard
Color: #0239 Oatmeal
- PR-7 Type: Corner Guard
Mfr. IPC
Style: 3" wing x height to underside of counter
Model: # 150 BN High Impact corner guard
Color: Amber Cherry # 0547 - InPro
 Woodlands Collection to match
 Plastic Laminate
- PR-8 Type: Handrail
Mfr. InPro/IPC
Style: 1 1/2" Grip PVC (Rigid Vinyl)
Model: # 1100
Color: #0239 Oatmeal
- PR-9 Type: End Wall Protection
Mfr. IPC
Style: 2" wings each side (Top of wall base to
 top of wall unless shown otherwise).
Model: # 160 DBN
Color: #0239 Oatmeal



02/05/2018

SHEET INFORMATION

HEITKAMP SWIFT
ARCHITECTS

Architecture • Interiors • Planning

4545 POST OAK PLACE DR.
SUITE 100
HOUSTON, TEXAS 77027
(T) 713.626.4300
(F) 713.626.4301

**KINGWOOD MEDICAL
CENTER - INPATIENT
REHAB EXPANSION**

22999 Highway 59 North
Kingwood, TX

Copyright © 2018 Heitkamp Swift Architects

AD1 A-1

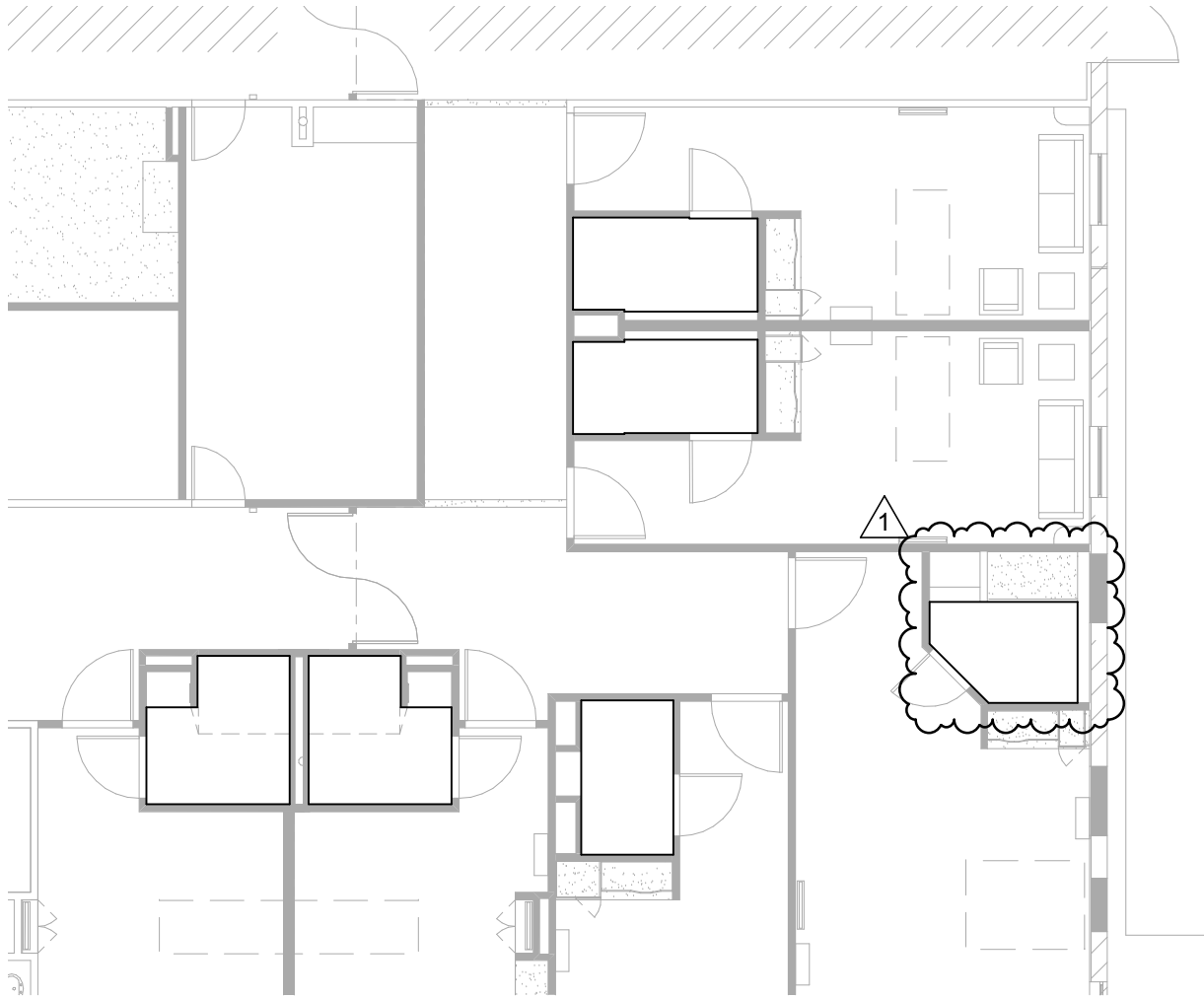
RE: F2.01

ISSUE FOR:
ADDENDUM NO. 01

DATE 02/05/2018

JOB NUMBER 17316

SCALE NTS

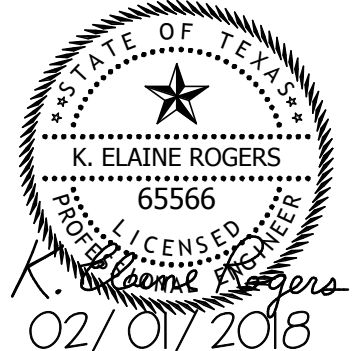


1

OVERALL FLOOR PLAN

3/32" = 1'-0"

Henderson Rogers
Structural Engineers, LLC
TBPE Firm Registration No. 8755



HENDERSON ROGERS
structural engineers
2603 Augusta
Suite 800
Houston, Texas 77057
713.430.5800
713.430.5888 fax
www.hendersonrogers.com

HEITKAMP SWIFT ARCHITECTS
Architecture • Interiors • Planning

4545 POST OAK PLACE DR.
SUITE 100
HOUSTON, TEXAS 77027
(T) 713.626.4300
(F) 713.626.4301

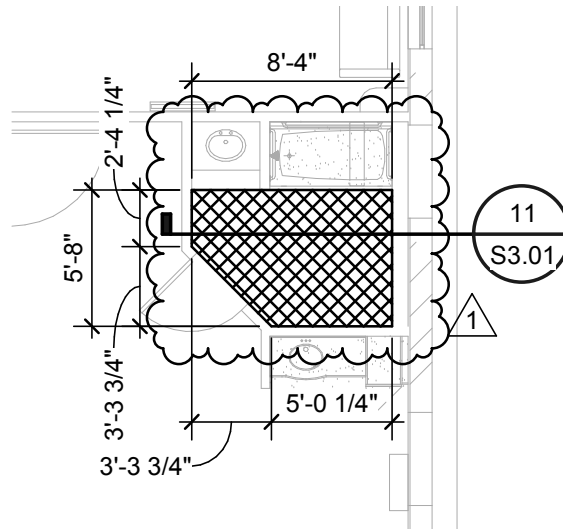
KINGWOOD MEDICAL CENTER - INPATIENT REHAB EXPANSION
22999 Highway 59 North
Kingwood, TX

Copyright © 2018 Heitkamp Swift Architects

SHEET INFORMATION

AD1 S-1
RE: 1/S1.01

ISSUE FOR:	ADDENDUM NO. 01
DATE:	02/07/18
JOB NUMBER:	17316
SCALE:	3/32" = 1'-0"



1

FLOOR PLAN

1/8" = 1'-0"

Henderson Rogers
Structural Engineers, LLC
TBPE Firm Registration No. 8755



HENDERSON ROGERS
structural engineers
2603 Augusta
Suite 800
Houston, Texas 77057
713.430.5800
713.430.5888 fax
www.hendersonrogers.com

HEITKAMP SWIFT ARCHITECTS
Architecture • Interiors • Planning

4545 POST OAK PLACE DR.
SUITE 100
HOUSTON, TEXAS 77027
(T) 713.626.4300
(F) 713.626.4301

KINGWOOD MEDICAL CENTER - INPATIENT REHAB EXPANSION
22999 Highway 59 North
Kingwood, TX

Copyright © 2018 Heitkamp Swift Architects

SHEET INFORMATION

AD1 S-2
RE: 1/S1.02

ISSUE FOR:	ADDENDUM NO. 01
DATE:	02/07/18
JOB NUMBER:	17316
SCALE:	1/8" = 1'-0"