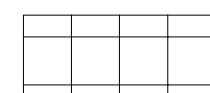
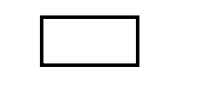

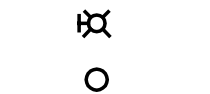
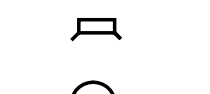
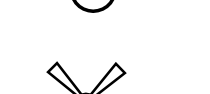


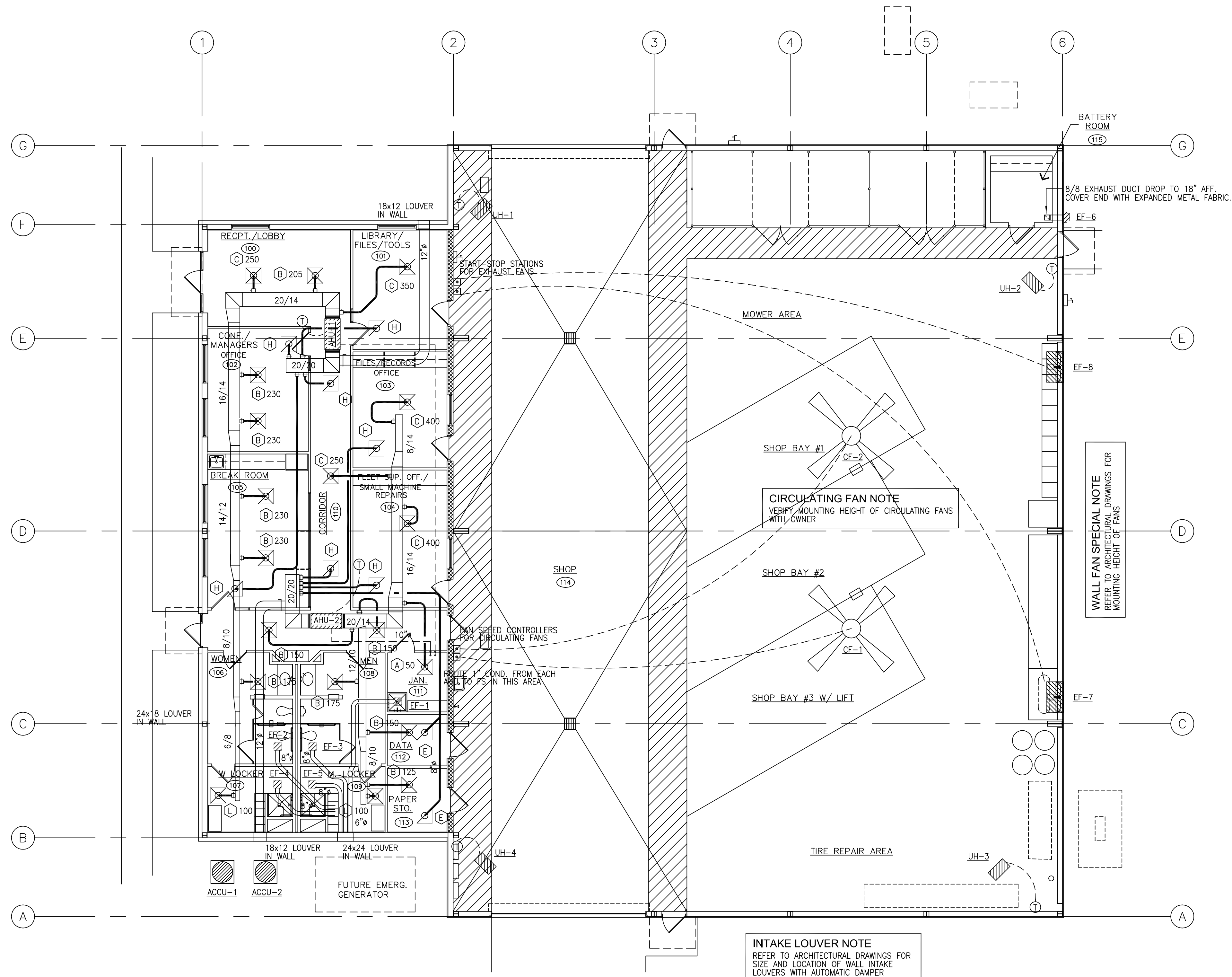


NOTE:
1. ALL CEILING GRID AT 9'-0" UNLESS NOTED OTHERWISE
2. RE: ELEC. DRAWINGS FOR FIXTURE TYPES.

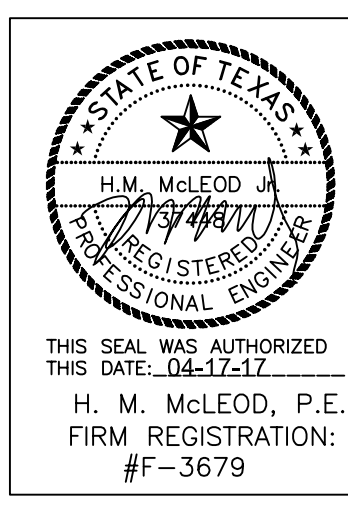
1 REFLECTED CEILING PLAN
SCALE: 1/8" = 1'-0"

LEGEND

-  2X2 LAY-IN CLG. PANELS
-  2 X 4 LAY-IN FLUORESCENT LIGHT
FIXTURE RE: LIGHTING PLAN FOR SPECS
-  2 X 4 SURFACE MOUNTED
FLUORESCENT LIGHT
FIXTURE RE: LIGHTING
PLAN FOR SPECS
-  WALL LIGHT
-  RECESSED LIGHT FIXTURE
-  WALL PACK
-  HANGING LIGHT FIXTURE
-  CEILING FAN (BIG A88 FANS)



MAIN BUILDING MECHANICAL FLOOR PLAN
SCALE: 1/8" = 1'-0"



THIS DOCUMENT IS THE PROPERTY OF EDWARDS ASSOCIATES. REPRODUCTION OR USE OF ANY KIND WITHOUT EXPRESSED WRITTEN CONSENT OF THIS ARCHITECT IS PROHIBITED UNDER FEDERAL COPYRIGHT LAWS.

MECHANICAL SYMBOLS

SYMBOL	DESCRIPTION
	DUCTWORK
	FLEXIBLE DUCT
	SPIN-IN CONNECTOR W/DAMPER AND AIR SCOOP
	TRANSITION
	TURNING VANES
	SMOKE DETECTOR
	DRAIN LINE
	MANUAL SPLITTER
	EXHAUST GRILLE OR REGISTER
	SIDEWALL SUPPLY REGISTER
	CEILING GRILLE OR REGISTER, EXHAUST OR RETURN
	CEILING DIFFUSER
	THERMOSTAT

EXHAUST FAN SCHEDULE

MARK	SERVICE	CAPY CFM	S.P. IN W.G.	FAN RPM	MOTOR			DESCRIPTION SEE ABOVE	REMARKS	
					HP	V	PH			
EF-1	JANITOR EXHAUST	90	.25	900	FRAC	120	1	900	D,AD,SC	COOK GC-146 INTERLOCK WITH LIGHTS
EF-2	TOILET EXHAUST	240	.25	1450	FRAC	120	1	1450	D,AD,SC	COOK GC-188 INTERLOCK WITH LIGHTS
EF-3	TOILET EXHAUST	240	.25	1450	FRAC	120	1	1450	D,AD,SC	COOK GC-188 INTERLOCK WITH LIGHTS
EF-4	LOCKER EXHAUST	145	.25	1100	FRAC	120	1	1100	D,AD,SC	COOK GC-166 INTERLOCK WITH LIGHTS
EF-5	LOCKER EXHAUST	145	.25	1100	FRAC	120	1	1100	D,AD,SC	COOK GC-166 INTERLOCK WITH LIGHTS
EF-6	BATTERY EXHAUST	150	.25	1550	FRAC.	120	1	1550	W,C,D	COOK 70W-15DH RUN CONTINUOUSLY
EF-7	SHOP EXHAUST	9500	.25	860	1	460	3	1750	W,P,D,AD	COOK 36W416D08 CONTROLLED BY START-STOP STATION
EF-8	SHOP EXHAUST	9500	.25	860	1	460	3	1750	W,P,D,AD	COOK 36W416D08 CONTROLLED BY START-STOP STATION

- NOTES:
 1. ALL WALL MOUNTED FANS SHALL HAVE BIRDSCREEN.
 2. ALL FANS SHALL BE PROVIDED WITH MOTOR STARTER AND MANUAL DISCONNECT SWITCH.
 3. ALL CAPACITIES AND CONDITIONS INDICATED ARE MINIMUM REQUIRED.

AIR HANDLING UNIT SCHEDULE

UNIT NO.	CFM	O.A. CFM	COOLING COIL (MBH)		E.A.T. °F		E.S.P. IN W.G.	EVAP. FAN HP	ELECTRICAL			ELECTRIC HEATING			REMARKS	
			SENSIBLE	TOTAL	DB./WB.	TOTAL			MCA	V	PH	FLA	KW	V		PH
AHU-1	2000	500	43.0	60.0	80.0/67.0	0.4	1/2	6.1	480	3	STD.	10.0	480	3	1	TRANE TEM40D60
AHU-2	2000	500	43.0	60.0	80.0/67.0	0.4	1/2	6.1	480	3	STD.	10.0	480	3	1	TRANE TEM40D60

- NOTES:
 1. UNIT TO BE PROVIDED WITH SINGLE POINT WIRING CONNECTION.
 2. EXTERNAL STATIC PRESSURE DOES NOT INCLUDE FILTER OR COIL PRESSURE DROP.
 3. ALL CAPACITIES AND CONDITIONS INDICATED ARE MINIMUM REQUIRED.
 4. PROVIDE 2", 30% FLAT-FILTER SECTION ON EACH SYSTEM.
 5. COIL FACE VELOCITY SHALL BE 500 FPM MAX.

AIR COOLED CONDENSING UNIT SCHEDULE

UNIT NO.	CAPACITY MBTUH	AMBIENT °F	MIN. SEER/EER	ELECTRICAL			REMARKS
				MCA	V	PH	
ACCU-1	60.0	95	13.0	10.0	460	3	TRANE 4TTA3060D4
ACCU-2	60.0	95	13.0	10.0	460	3	TRANE 4TTA3060D4

- NOTES:
 1. ALL CAPACITIES AND CONDITIONS INDICATED ARE MINIMUM REQUIRED.

AIR DEVICE SCHEDULE

MARK	NECK SIZE	FRAME SIZE	FRAME TYPE	VOL. DMPR.	SUP.	RET.	EXH.	TITUS NUMBER	FLEX SIZE
A	6" x 6"	24" x 24"	LAY-IN	•	•	•	•	SERIES PAS PERFORATED FACE	6"
B	8" x 8"	24" x 24"	LAY-IN	•	•	•	•	SERIES PAS PERFORATED FACE	8"
C	10" x 10"	24" x 24"	LAY-IN	•	•	•	•	SERIES PAS PERFORATED FACE	10"
D	12" x 12"	24" x 24"	LAY-IN	•	•	•	•	SERIES PAS PERFORATED FACE	12"
E	8" x 8"	24" x 24"	LAY-IN	•	•	•	•	SERIES PAR PERFORATED FACE	8"
F	10" x 10"	24" x 24"	LAY-IN	•	•	•	•	SERIES PAR PERFORATED FACE	10"
G	12" x 12"	24" x 24"	LAY-IN	•	•	•	•	SERIES PAR PERFORATED FACE	12"
H	15" x 15"	24" x 24"	LAY-IN	•	•	•	•	SERIES PAR PERFORATED FACE	14"
J	18" x 18"	24" x 24"	LAY-IN	•	•	•	•	SERIES PAR PERFORATED FACE	14"
K	22" x 22"	24" x 24"	LAY-IN	•	•	•	•	SERIES PAR PERFORATED FACE	18"
L	6" x 6"	STANDARD	SURFACE	•	•	•	•	SERIES PAS PERFORATED FACE	6"

- NOTES:
 1. PROVIDE ADAPTOR FOR SQUARE-TO-ROUND NECK WHERE FLEX DUCT IS USED.
 2. NOT ALL DEVICES SCHEDULED ARE NECESSARILY REQUIRED. SEE FLOOR PLANS.
 3. FLEX DUCT INDICATED ON FLOOR PLANS SHALL BE SAME SIZE AS FLEX SIZE INDICATED IN SCHEDULE.
 4. RIGID DUCT CONNECTIONS TO AIR DEVICES SHALL BE SAME AS NECK SIZE INDICATED IN SCHEDULE.
 5. DEVICES SHALL BE SUITABLE FOR CEILING TYPE IN WHICH INSTALLED. CONFIRM BEFORE ORDERING.
 6. BACK OF ALL DEVICES IN CEILING SHALL BE INSULATED WITH 1" THICK FIBERGLASS WITH VAPOR BARRIER.

ELECTRIC UNIT HEATER SCHEDULE

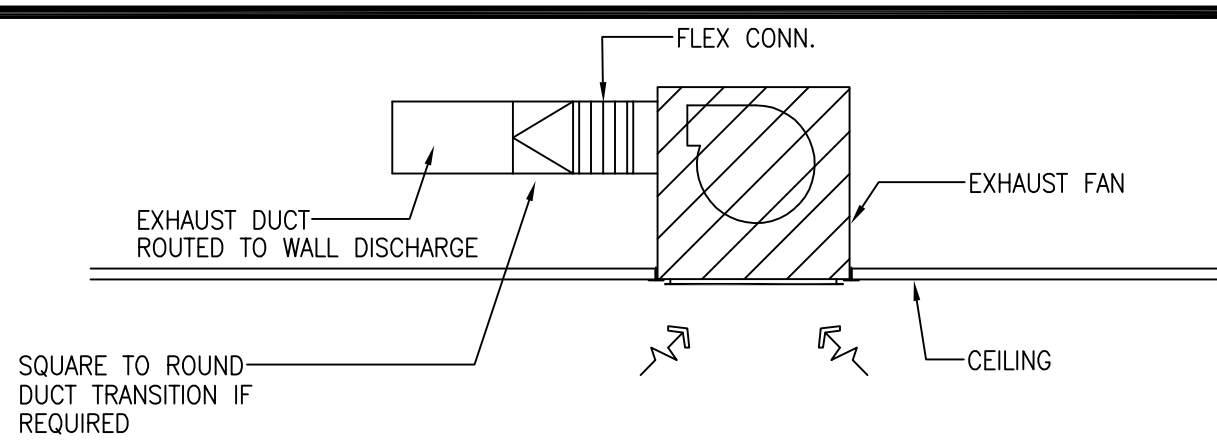
UNIT NO.	ELECTRICAL			HEATING INPUT KW	FAN CFM	MODEL NO.
	V	P	FLA			
EUH-1	460	3	36.0	30.0	2100	QMARK MUH-30-4
EUH-2	460	3	36.0	30.0	2100	QMARK MUH-30-4
EUH-3	460	3	36.0	30.0	2100	QMARK MUH-30-4
EUH-4	460	3	36.0	30.0	2100	QMARK MUH-30-4

- NOTES:
 1. HEATER SHALL BE FURNISHED WITH 24 VAC THERMOSTAT FOR FIELD MOUNTING AT 6'-0" AFF.
 2. CLEARANCES TO ALL ADJACENT SURFACES SHALL BE IN ACCORDANCE WITH MANUFACTURER'S RECOMMENDATIONS.

CIRCULATING FAN SCHEDULE

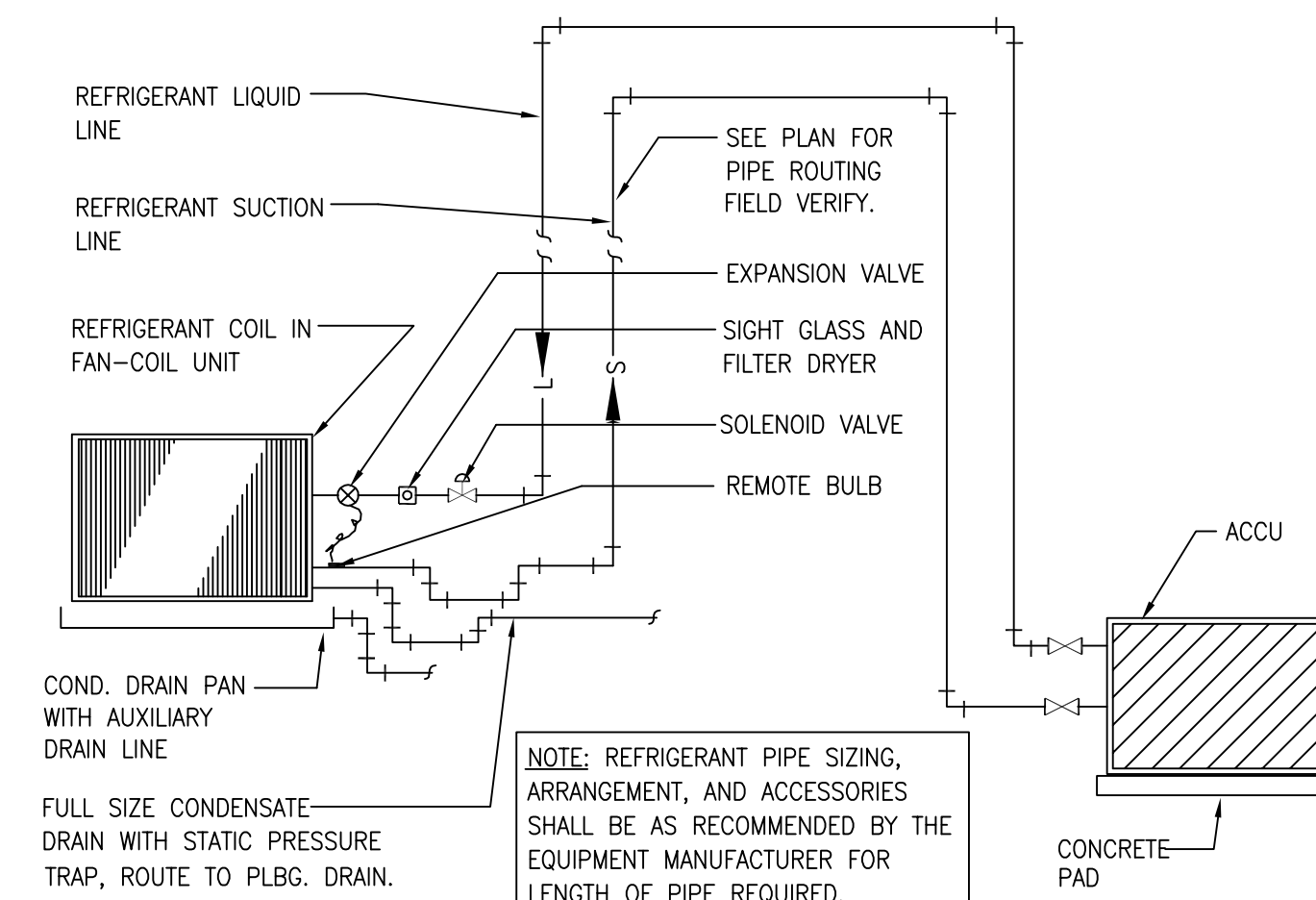
MARK	SERVICE	CAPY CFM	S.P. IN W.G.	MOTOR			MODEL NO.
				HP	V	PH	
CF-1	GENERAL VENTILATION	STD.	-0-	1	460	3	BIG ASS MODEL BASIC 6 12'-0" DIAMETER CEILING MOUNTED CIRCULATING FAN
CF-2	GENERAL VENTILATION	STD.	-0-	1	460	3	BIG ASS MODEL BASIC 6 12'-0" DIAMETER CEILING MOUNTED CIRCULATING FAN

FAN TO BE COMPLETE WITH SPEED CONTROLLER.



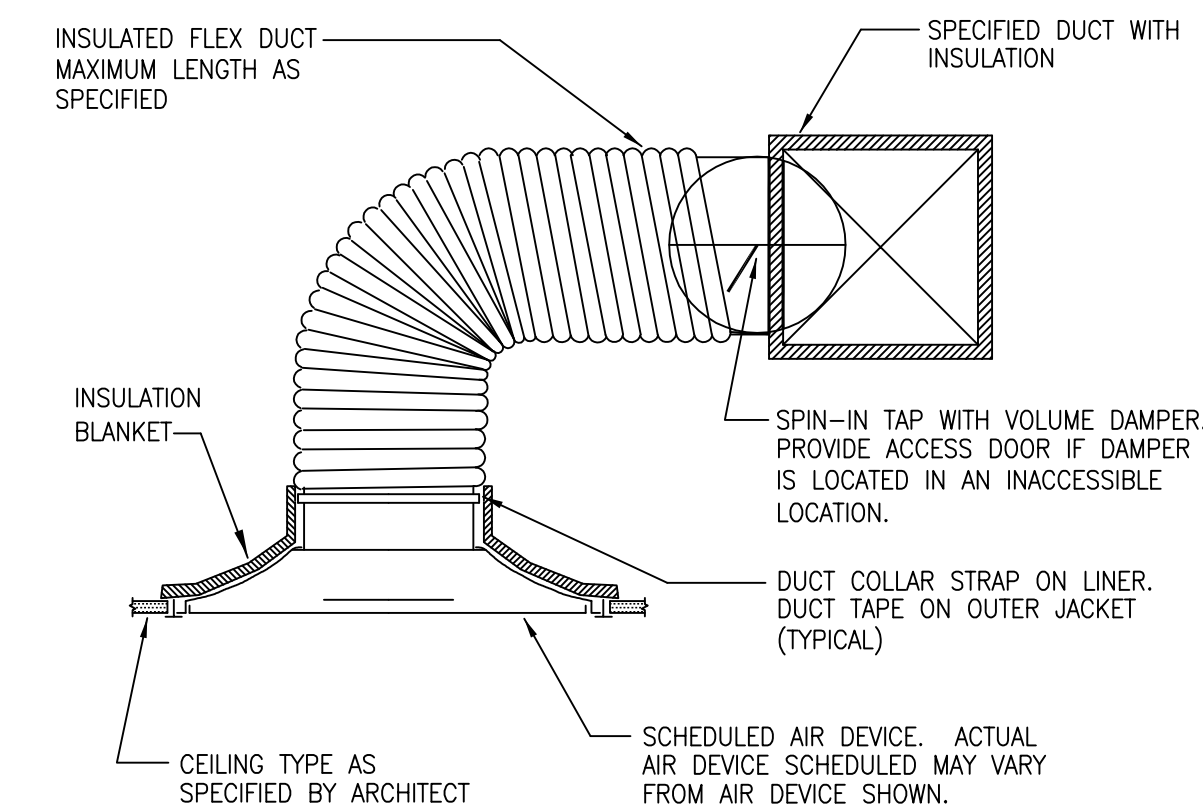
EXHAUST FAN IN CEILING DETAIL

SCALE: NONE



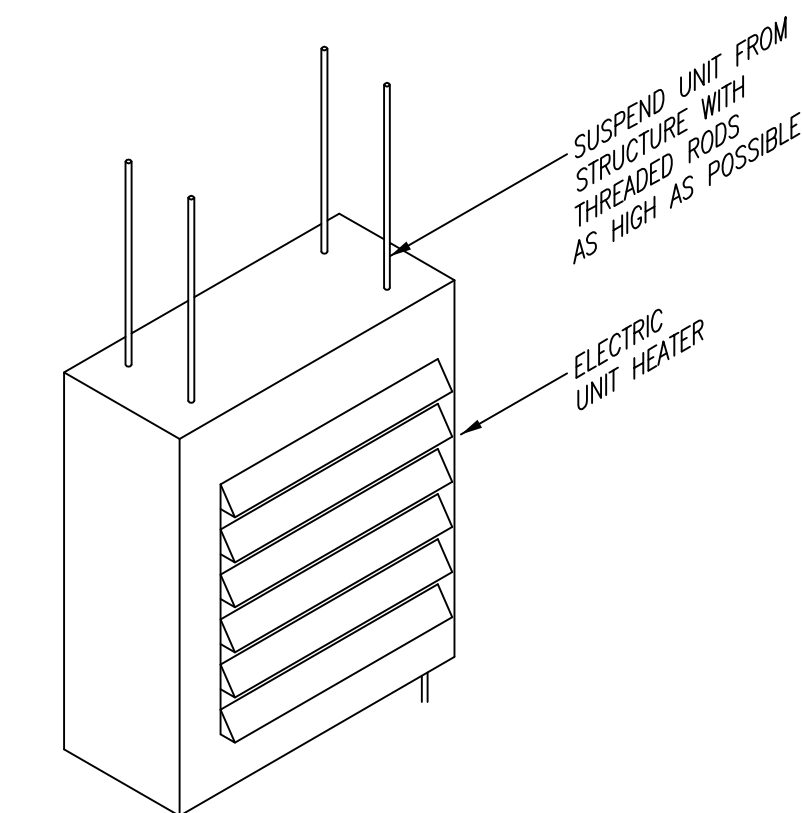
REFRIGERANT PIPING DETAIL

SCALE: NONE



CEILING DIFFUSER DETAIL

SCALE: NONE



UNIT HEATER DETAIL

SCALE: NONE

DUCTWORK SPECIAL NOTE

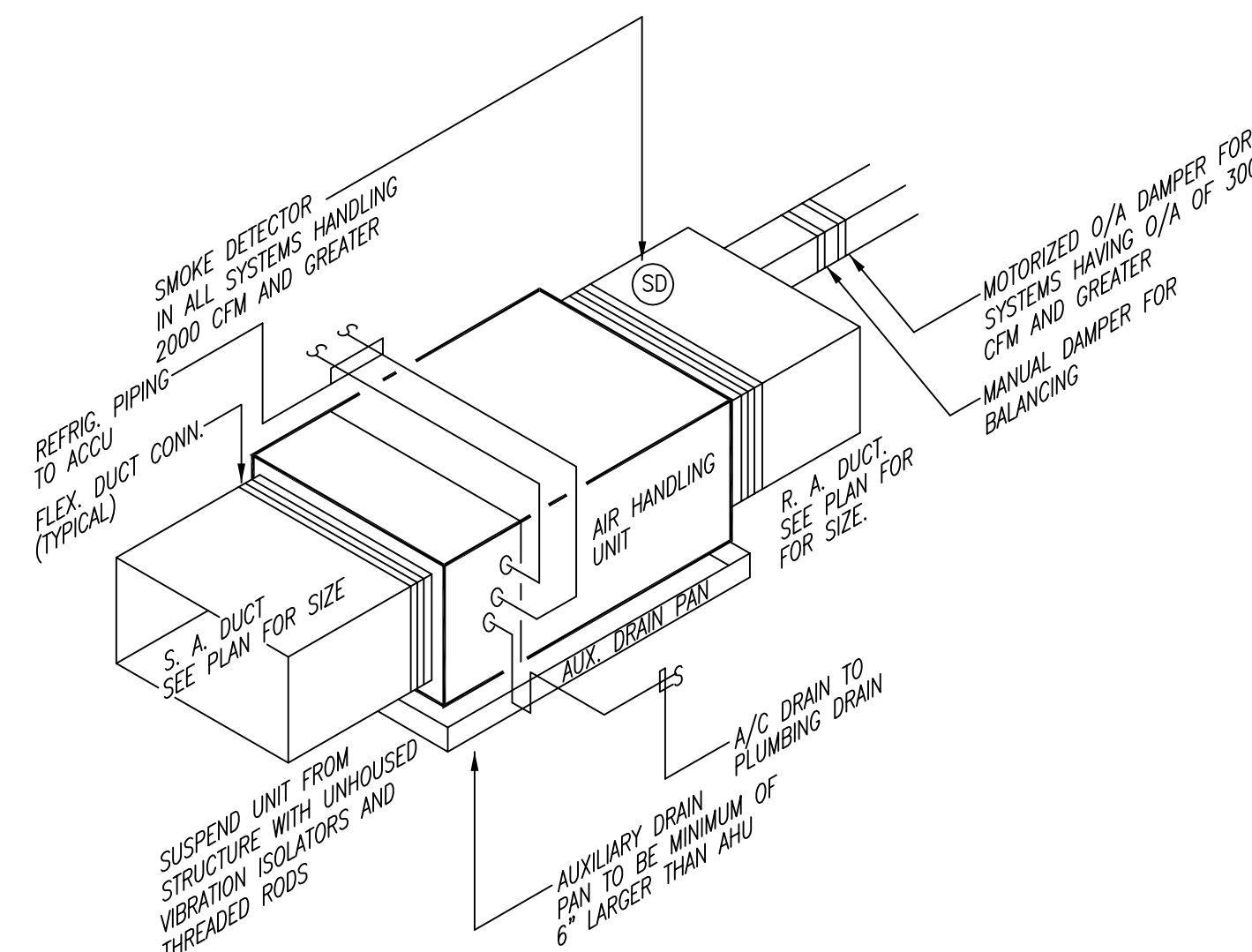
ALL DUCTWORK SHALL BE SEALED AND TESTED TO COMPLY WITH IECC 2015 ENERGY CONSERVATION REQUIREMENTS.

OUTDOOR AIR CALCULATION - AHU-1

	A	B	C	D	E	F
SPACE	AREA (IN SF)	DENSITY (#/1000 SF FT)	# OCCUPANTS (AxB/1000)	O/A RATE (CFM/PERSON)	O/A RATE (CFM/SQ FT)	REQUIRED O/A (DxC) + ExA)
OFFICE	244	5	1	5.0	0.06	20
BREAK ROOM	280	50	14	5.0	0.12	104
RECEPTION/LOBBY	240	10	2	5.0	0.06	24
LIBRARY	192	2	1	5.0	0.06	16
EXHAUST FANS						336
						TOTAL OUTDOOR AIR REQUIRED (CFM)
						TOTAL OUTDOOR AIR PROVIDED (CFM)

OUTDOOR AIR CALCULATION - AHU-2

	A	B	C	D	E	F
SPACE	AREA (IN SF)	DENSITY (#/1000 SF FT)	# OCCUPANTS (AxB/1000)	O/A RATE (CFM/PERSON)	O/A RATE (CFM/SQ FT)	REQUIRED O/A (DxC) + ExA)
OFFICE	408	5	2	5.0	0.06	34
CORRIDOR	390	-	-	-	0.06	23
JANITOR	64	-	-	-	0.06	4
DATA ROOM	64	5	-	5.0	0.06	4
STORAGE	64	2	-	5.0	0.06	4
EXHAUST FANS						431
						TOTAL OUTDOOR AIR REQUIRED (CFM)
						TOTAL OUTDOOR AIR PROVIDED (CFM)



AIR HANDLING UNIT DETAIL

SCALE: NONE

AHU WATER SENSING DEVICE NOTE

HORIZONTAL AHU UNITS SHALL BE EQUIPPED WITH A WATER SENSING DEVICE TO BE INSTALLED IN PRIMARY DRAIN PAN TO SHUT DOWN UNIT IF PRIMARY DRAIN BECOMES RESTRICTED.

