

RICE UNIVERSITY

RYON LAB UPGRADES

MD-01 BASEMENT DEMOLITION
 M-01 BASEMENT NEW WORK
 M-02 BASEMENT AHU SCHEDULE AND DETAILS

ED-01 BASEMENT DEMOLITION
 E-01 BASEMENT NEW WORK
 E-02 CABLE CONDUIT AND PANEL SCHEDULES

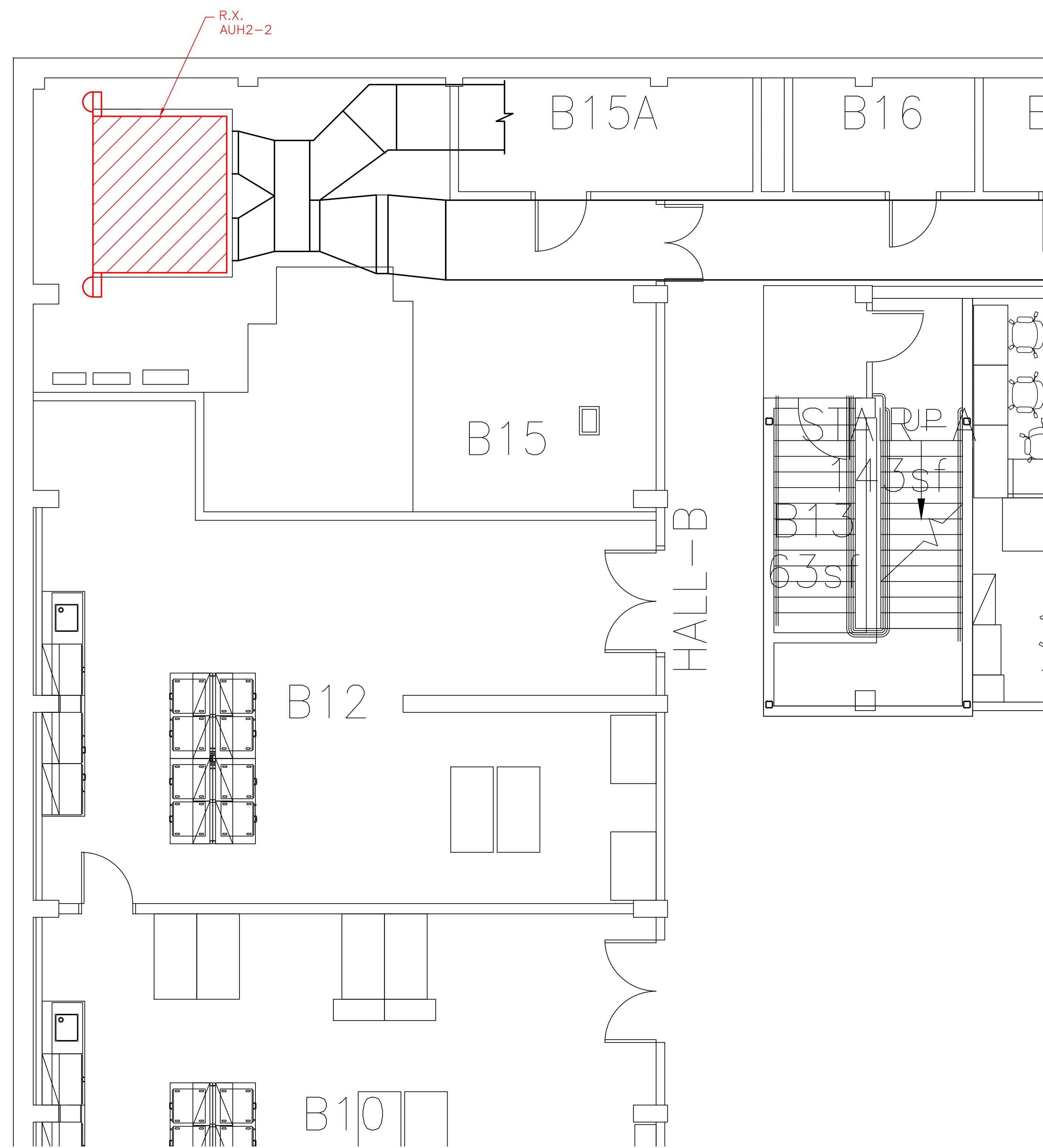
NO.	DATE	DESCRIPTION	APPD.
0	04/10/19	ISSUE FOR CONSTRUCTION	EMK
		REVISION	



Galaxy Consulting Engineers LLC
 14606 E GINGER SPICE CT
 CYPRESS TX 77494
 Website: GalaxyCE.com
 Firm Registration No.F-8814

WILLIAM MARSH RICE UNIVERSITY
 RYON LAB AHU 2-2 REPLACEMENT
 TITLE SHEET
 -

SCALE NONE
JOB NO. RU19-09A
SHEET NO. 1 OF 7
SHEET NAME T-01



NOTES:

1. FULLY REMOVE AIR HANDLING UNIT AHU 2-2.
2. RETAIN EXISTING DISCHARGE AIR DUCTWORK.

NO.	DATE	DESCRIPTION	REVISION
0	04/10/19	ISSUE FOR CONSTRUCTION	EMK



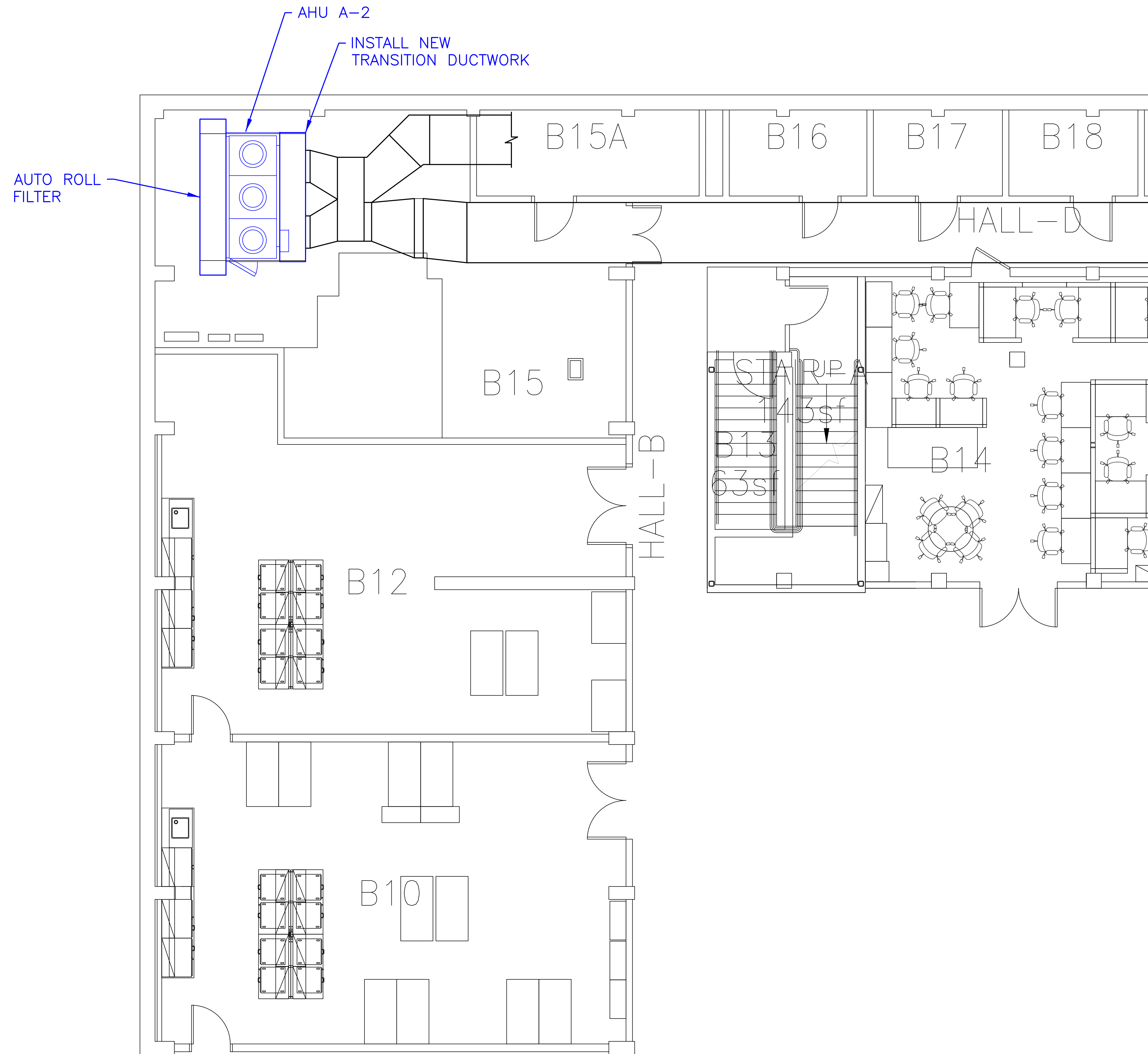
Galaxy Consulting Engineers LLC

14606 E GINGER SPICE CT
 CYPRESS TX 77494
 Website: GalaxyCE.com
 Firm Registration No.F-8814

281-253-7859
 EK@GalaxyCE.com

WILLIAM MARSH RICE UNIVERSITY
 RYON LAB AHU 2-2 REPLACEMENT
 BASEMENT
 DEMOLITION

SCALE
 NONE
 JOB NO.
 RU19-09A
 SHEET NO.
 2 OF 7
 SHEET NAME
 MD-01



NOTES:

1. INSTALL NEW AIR HANDLING UNIT AHU 2-2 ON TO EXISTING SLAB.
2. FIELD FIT TRANSITION DUCTWORK FROM AHU DISCHARGE TO EXISTING DUCTWORK.
3. REPLACE HOT WATER THREE WAY CONTROL VALVES SERVING AHU2-2 DUCT COILS.

NO.	DATE	DESCRIPTION	APPD.
0	04/10/19	ISSUE FOR CONSTRUCTION	EMK

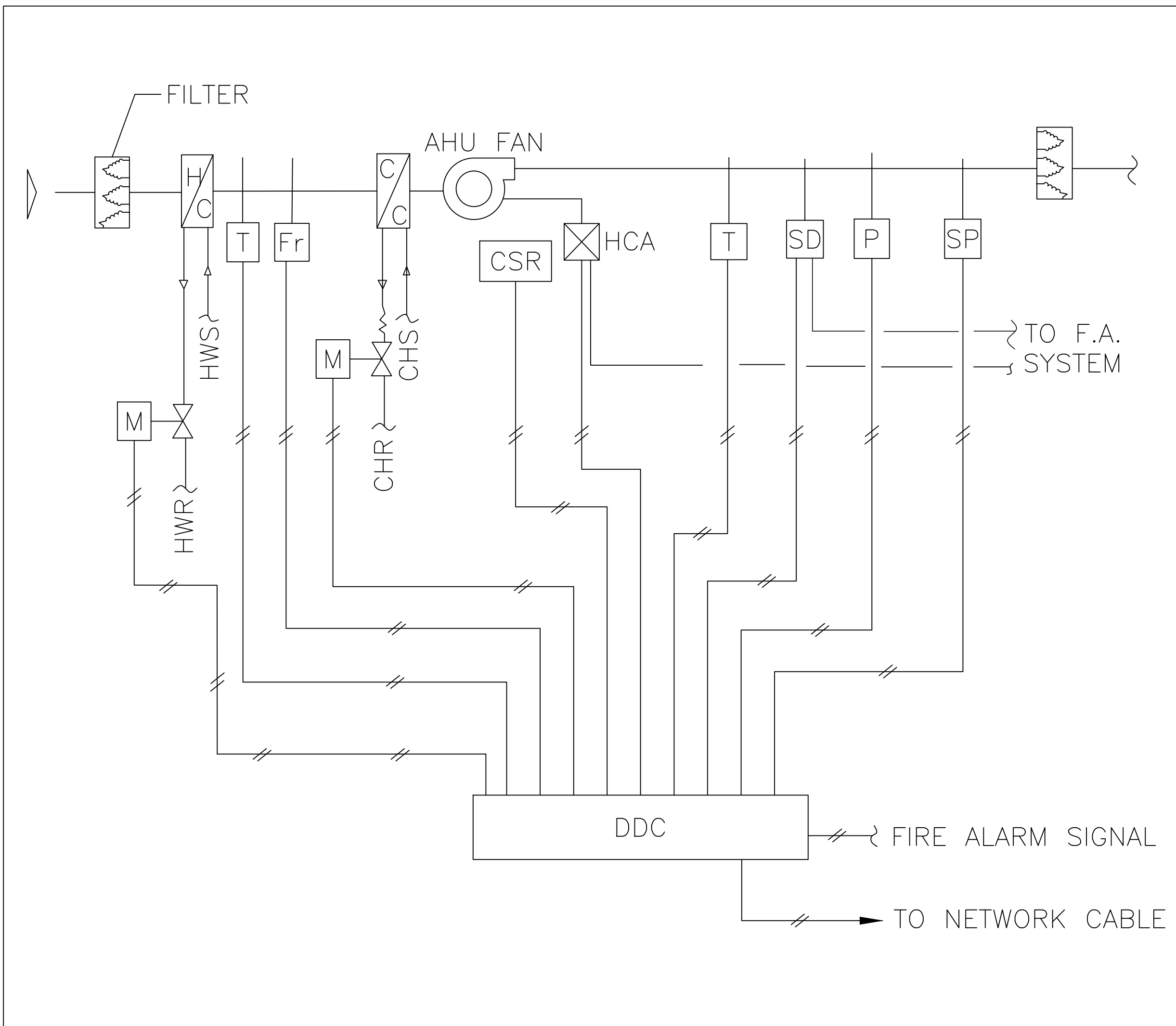


Galaxy Consulting Engineers LLC
 14606 E GINGER SPICE CT
 CYPRESS TX 77494
 Website: GalaxyCE.com
 Firm Registration No.F-8814

281-253-7859
 EK@GalaxyCE.com

WILLIAM MARSH RICE UNIVERSITY
 RYON LAB AHU 2-2 REPLACEMENT
 BASEMENT
 NEW WORK

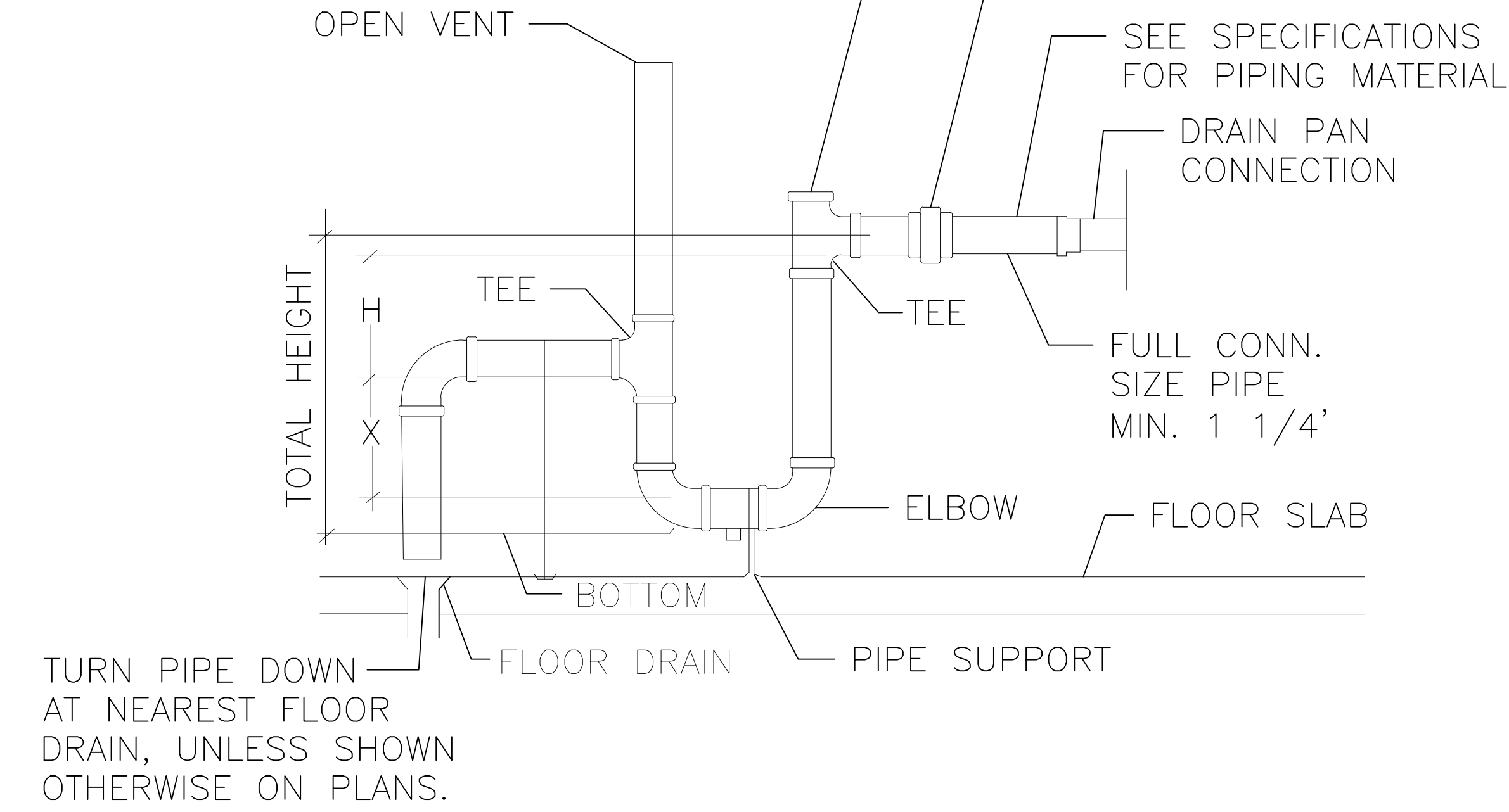
SCALE	NONE
JOB NO.	RU19-09A
SHEET NO.	3 of 7
SHEET NAME	M-01



AHU-3A

01

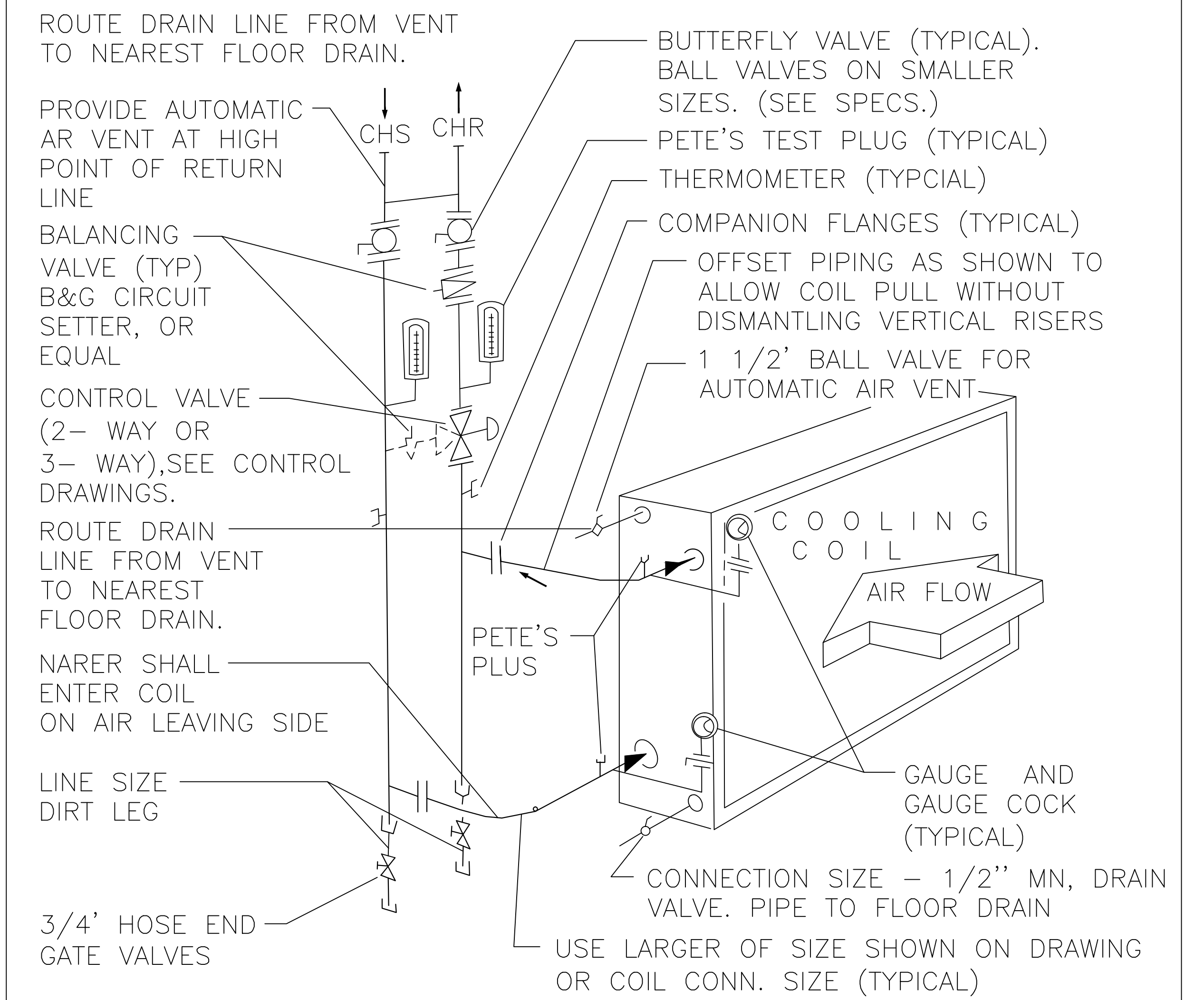
NOTE:
ELEVATE A/C UNIT SUFFICIENT DISTANCE ABOVE FLOOR OR ROOF TO ALLOW FOR INSTALLATION OF TRAP WITH ADEQUATE DIMENSIONS TO WITHSTAND SYSTEM OPERATING PRESSURE. COORDINATE WITH DETAIL FOR A/C UNIT MOUNTING.



TOTAL HEIGHT OF TRAP = X+H+ (1 1/2 PIPE DIAMETER)
FOR DRAW THRU UNITS FOR BLOW THRU UNITS
X=MIN, 1/2 H (PREFERRED X=H) X= FAN STATIC PRESSURE +1'
H=NEGATIVE STATIC PRESSURE +1' H=MIN.1'

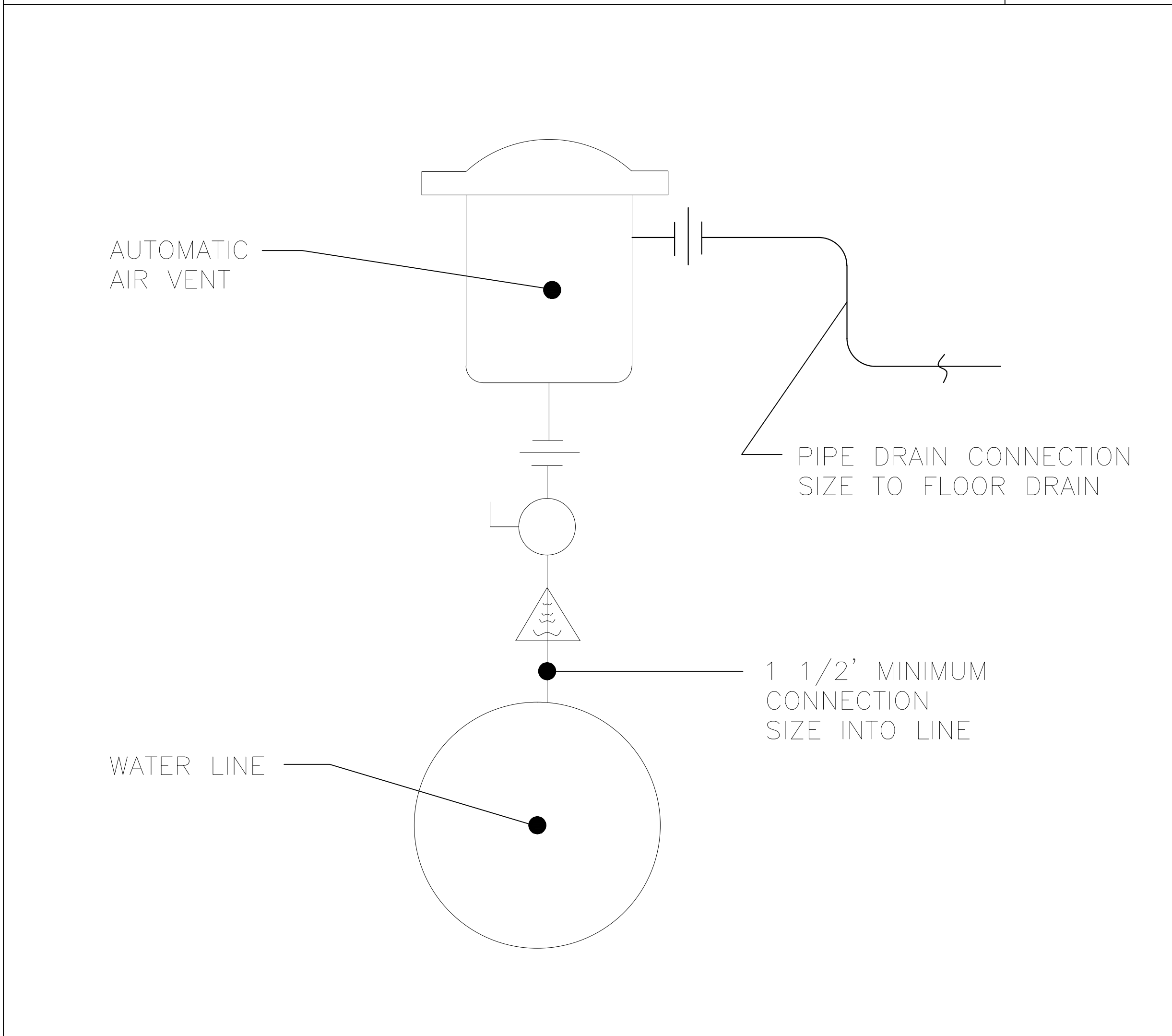
COOLING COIL
CONDENSATE DRAIN

02



CHILLED WATER PIPING
AT SINGLE COOLING COIL

03



AUTOMATIC AIR VENT

04

AIR HANDLING UNITS

IDENT	AREA SERVED	MANUFACTURER	FAN							COOLING							
			AIRFLOW	EXT. SP	QTY	HP N(EA)	Elec	Starter	MAX FV	ENTERING	LEAVING	TOT.LOAD	SENS.LOAD	CHW	CHW	MAX	
			CFM	IN						CFM	FPM						DB/WB
AHU 2-2	3RD FLOOR Lab 328	TEMPROL	22,000	3.31	3	9	460/3	VFD	22,000	510	78.4/65.6	54/53	746,100	554,400	156.4	45/54.5	10

NO.	DATE	DESCRIPTION	REVISION
0	04/10/19	ISSUE FOR CONSTRUCTION	EMC



Galaxy Consulting Engineers LLC

14606 E GINGER SPICE CT
CYPRESS TX 77494
Website: GalaxyCE.com
Firm Registration No.F-8814

281-253-7859
EK@GalaxyCE.com

WILLIAM MARSH RICE UNIVERSITY
RYON LAB AHU 2-2 REPLACEMENT
BASEMENT
AHU SCHEDULE AND DETAILS

SCALE
NONE
JOB NO.
RU19-09A
SHEET NO.
4 OF 7
SHEET NAME
M-02